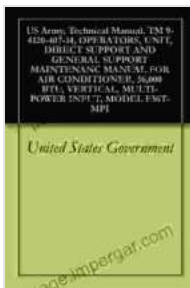


Unveiling the Secrets of Military Engineering: A Journey Through US Army Technical Manual TM 4120-407-14

In the realm of military engineering, knowledge is paramount. The US Army Technical Manual TM 4120-407-14 serves as an invaluable guide, unlocking the secrets of unit direct support and intermediate maintenance for military personnel and enthusiasts alike.

A Comprehensive Operators Guide

This technical manual is a comprehensive resource for operators, providing step-by-step instructions and detailed illustrations to facilitate efficient troubleshooting, fault diagnosis, and repair procedures. Its meticulously organized content covers a vast array of topics, empowering readers with the expertise to maintain and operate military equipment with precision.



US Army, Technical Manual, TM 9-4120-407-14, OPERATORS, UNIT, DIRECT SUPPORT AND GENERAL SUPPORT MAINTENANC MANUAL FOR AIR CONDITIONER, 36,000 BTU, VERTICAL, MULTI-POWER INPUT, MODEL F36T-MPI by Sergio Miller

★★★★☆ 4.7 out of 5

Language : English
File size : 21533 KB
Text-to-Speech : Enabled
Screen Reader : Supported
Enhanced typesetting: Enabled
Print length : 488 pages
Lending : Enabled



Understanding Unit Direct Support

Unit direct support is a critical aspect of military operations. TM 4120-407-14 provides a thorough understanding of how to perform direct support tasks on military equipment, ensuring operational readiness and minimizing downtime.

The manual covers procedures for:

- Preventive maintenance
- Troubleshooting
- Fault diagnosis
- Repair
- Parts replacement

Mastering Intermediate Maintenance

Beyond unit direct support, TM 4120-407-14 also delves into the complexities of intermediate maintenance. This level of maintenance requires specialized skills and knowledge, and the manual provides clear guidance on how to perform more advanced tasks.

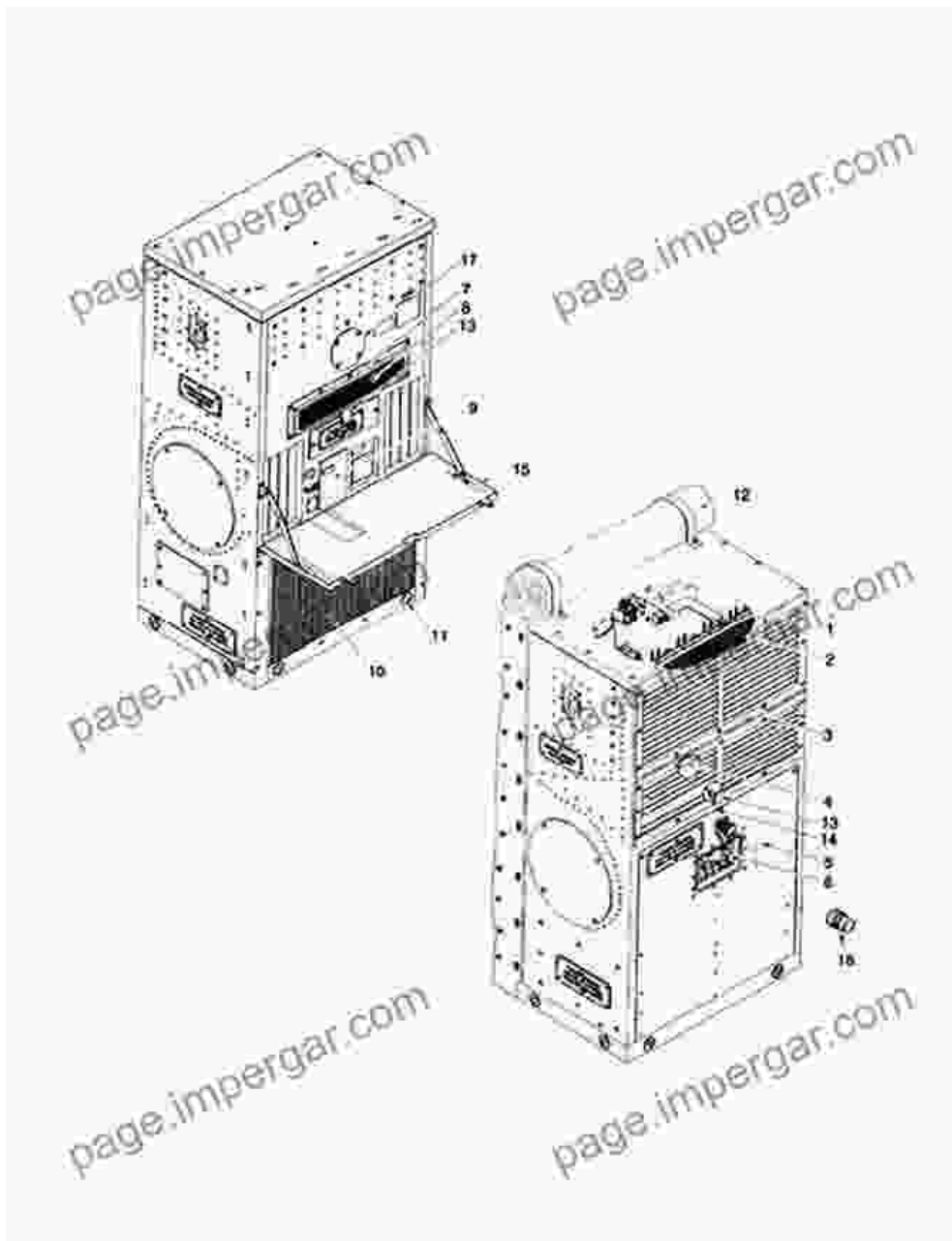
Topics covered include:

- Major component removal and installation
- Overhaul procedures

- Calibration
- Testing protocols

Detailed Illustrations and Visual Aids

To enhance comprehension and provide visual clarity, TM 4120-407-14 is richly illustrated with detailed diagrams, schematics, and photographs. These visual aids complement the written instructions, making complex concepts easy to grasp.



Comprehensive Troubleshooting Section

Troubleshooting is a crucial aspect of military maintenance. TM 4120-407-14 features a comprehensive troubleshooting section that guides operators through the process of identifying and resolving faults.

The manual provides:

- Logical troubleshooting steps
- Fault isolation techniques
- Diagnostic flowcharts

Clear and Concise Instructions

Clarity is paramount in technical documentation. TM 4120-407-14 is written in a clear and concise style, ensuring that instructions are easy to follow and understand.

Key features include:

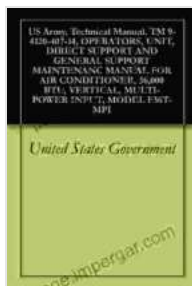
- Step-by-step procedures
- Numbered lists and bullet points
- Highlighted safety precautions

US Army Technical Manual TM 4120-407-14 is an indispensable resource for anyone involved in the maintenance and operation of military equipment. Its comprehensive coverage, detailed illustrations, and clear instructions empower readers with the knowledge and skills to ensure the smooth functioning of military systems.

Whether you're a military professional seeking to enhance your expertise or an enthusiast eager to delve into the intricacies of military engineering, TM 4120-407-14 is a must-have guide.

Call to Action

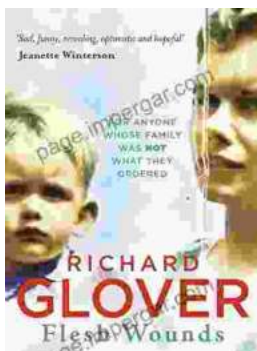
Free Download your copy of US Army Technical Manual TM 4120-407-14 today and unlock the secrets of military engineering.



US Army, Technical Manual, TM 9-4120-407-14, OPERATORS, UNIT, DIRECT SUPPORT AND GENERAL SUPPORT MAINTENANC MANUAL FOR AIR CONDITIONER, 36,000 BTU, VERTICAL, MULTI-POWER INPUT, MODEL F36T-MPI by Sergio Miller

★★★★☆ 4.7 out of 5

- Language : English
- File size : 21533 KB
- Text-to-Speech : Enabled
- Screen Reader : Supported
- Enhanced typesetting : Enabled
- Print length : 488 pages
- Lending : Enabled



"Flesh Wounds" by Richard Glover: A Provocative Exploration of Trauma, Identity, and the Human Body

In his thought-provoking and deeply moving book "Flesh Wounds," Richard Glover embarks on an unflinching exploration of the profound impact trauma can have...



Trial Techniques and Trials: Essential Knowledge for Legal Professionals

Navigating the complexities of trial law requires a deep understanding of courtroom procedures, effective trial strategies, and the ability to...